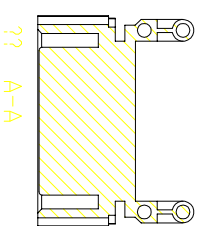
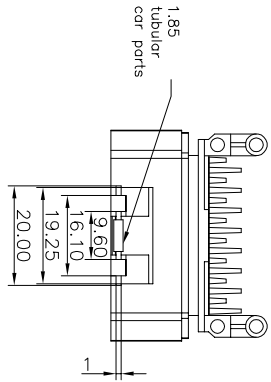
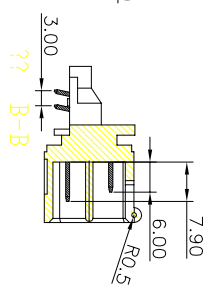
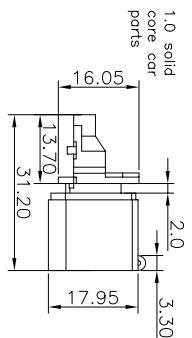
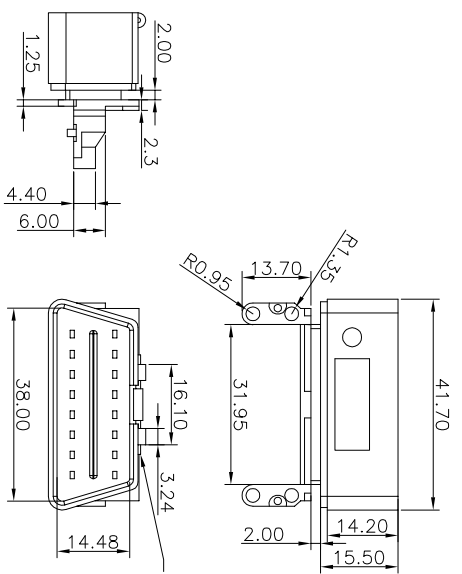
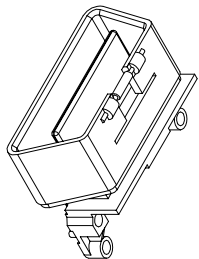


6		7		8	
NO.	DESCRIPTION	DATE	REVISION	REV.	



Electrical Performance

1. Dielectric Strength: 1000V AC/1 Minute.
  2. Contact resistance: 100 m Ohm MAX.
  3. Insulation Resistance: 500V DC, 100M Ohm Min.
- Rateing and Application Wire:
1. Rated Volatage: 30V MAX
  2. Ambient Temperature Range: -20°C ~ +85°C

Notes:

1. Housing Material: ABS 94V-0, Color: Black
2. TERMINAL Material: brass
3. Surface finishes: NICKEL (30u)

**COMTECH**

COMTECH ELECTRONIC CO., LTD

	UNITS: mm	TITLE: C-OBDI-16M-90C-12V-BK	
DRAWN BY	DATE	CUSTOMER	CUSTOMER P/N
CHECKED BY	DATE	PART NO. CR-PG032	SAMPLE NO.
APPROVED BY	DATE	FILE NO.	REV. A
SALE BY	DATE		