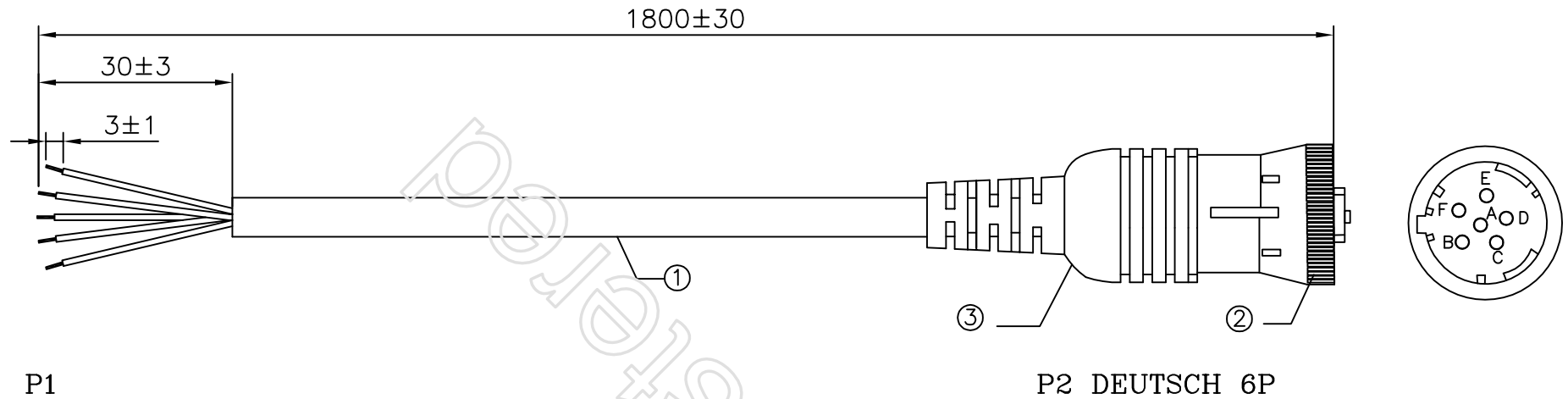


REVISION			
NO.	DESCRIPTION	DATE	REV.
1	CHANGE PIN OUT	060210	B



P1	P2 DEUTSCH 6P
TINNED	_____ A
TINNED	_____ B
TINNED	_____ C
TINNED	_____ D
TINNED	_____ E
TINNED	_____ F

ELECTRONIC TEST:

1. Voltage:DC 300V 5M ohm/10 ms.
2. Contact resistance: 3.0 ohm MAX.
3. 100% Open,Short,Mis-Wire Testing.

ITEM	DESCRIPTION	Q'TY	REMARK
3	PVC: BLACK OVERMOLD,45P	45G	
2	CONN:DEUTSCH 6P MALE	1PCS	
1	UL2464 20AWG*6C,O.D=8.0MM,BALCK JACKET	1.8M	

	UNIT: mm	TITLE: DEUTSCH 6P TO TINNED		
	DRAWN BY	DATE	CUSTOMER	CUSTOMER P/N
CHECKED BY	DATE	PART NO. G001-R012	SAMPLE NO.	REV. A
APPROVED BY	DATE	FILE NO:		
SALE BY	DATE			